

ELLIPSE SLOT - S3 (DIRECT) OVAL PATTERN



2.795" Wide X 3.937" High

PAL Architectural Lighting presents the new LASSO ELLIPSE SLOT - S3. Available in three distinct sizes, the ELLIPSE SLOT - S3 oval pattern mounts to drywall, metal pan, concrete, timber and T-Bar grid ceilings.

At 2.795" in width, the LASSO ELLIPSE SLOT - S3 is a sleek, compact form that creates a minimal spatial footprint, while at the same time creating a striking architectural statement.

Type:

Project Name:

Catalog Number:

SPECIFICATIONS

Housing

Constructed of extruded aluminum and available in three standard elliptical-shape pattern sizes. *See dimensions at left.

Lens/Diffusers

(FAL) Frosted acrylic snap-in lens, with magnetic retention location locks.

(PL) Heavy-duty polycarbonate snap-in lens, with magnetic retention location locks. Lens is IK08 rated for impacts.

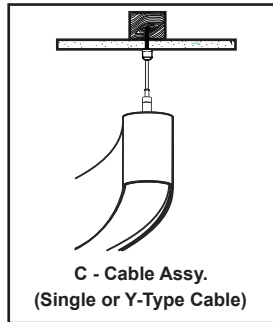
Gear Tray/LED Module

Removeable gear tray is constructed of solid aluminum, has LED module attached and is designed for quick and simple 'single person' installation or removal.

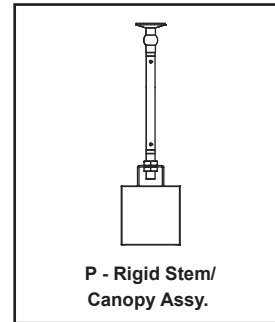
Certifications

Fixtures are UL listed for use in 'Dry or Damp Applications'. Fixtures are CE listed for the European market. Fixtures also carry an EMC rating (electromagnetic compatibility).

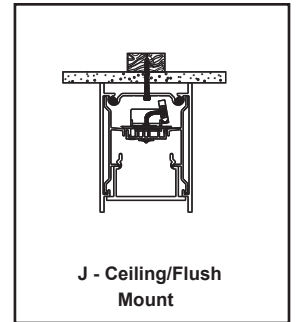
Mounting



*Link to Cable Install. Instructions



*Link to Stem/Canopy Install. Instructions



*Link to Ceiling/Flush Mt Install. Instructions



Color Temperatures/CRI

LED light sources are available for the following Co-ordinated Color Temperatures (CCT):

Standard: 3000K, 3500K, 4000K, & 5000K

Tunable White: Variable CCT range from 2700K thru 6500K.

RGBW: (Red, Green, Blue, White) color-changing logic module is rated at 90+ CRI and is available in standard High Output and Medium Output.

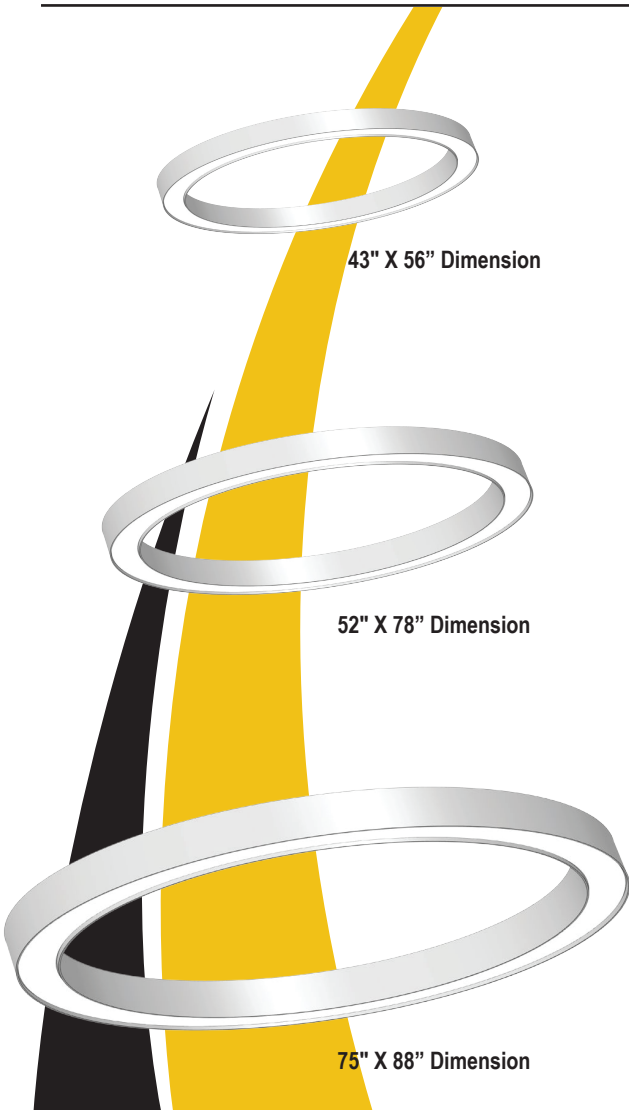
Contact factory for available custom outputs.

Color Rendering Index (CRI): Standard: 90

Warranty

10-year limited warranty. No other warranty is expressed or implied. Complete warranty terms can be accessed by visiting:

<https://pal-lighting.com/company/warranty>



ORDERING GUIDE

LES3-D — [] — [] — 90 — [] — []

Series	Outputs	Color Temp. (CCT)	Color Render	Oval Patterns	Mounting
LES3-D LASSO ELLIPSE SLOT - S3 (DIRECT)	HO High Output 875 Lms/Ft MO Medium Output 475 Lms/Ft CO ___ **Custom Output	Standard: K30 3000 Kelvin K35 3500 Kelvin K40 4000 Kelvin K50 5000 Kelvin Optional: TW 2700K thru 6500K (Tunable White) RGBW Red/Green/Blue/White (Color Changing)	90 90 CRI	4356 43" X 56" Dimension 5278 52" X 78" Dimension 7588 75" X 88" Dimension	C Cable Assy - Single Cable CY Cable Assy - Y-Type Split Cable P Rigid Stem/Canopy Assy J Ceiling/Flush Mount

[] — UNV — [] — [] — []

Lenses / Diffusers	Voltage	Drivers - Dimming	Drivers - Tunable White / RGBW	Sensor Options
FAL Frosted Acrylic Lens	UNV Universal Voltage (120V - 277V)	DIM10 Dimming 100% to 10% DIM5 Dimming 100% to 5% DIM1 Dimming 100% to 1% DIM0 Dimming 100% to 0%	TW DALI protocol driver - Tunable White Color Tuning RGBW DMX protocol driver - RGBW Red/Green/Blue/White Color Tuning	OCC Occupancy/Motion Sensor DS Daylight/Photocell Sensor

[] — []

Emergency Options	Control Options
EBPH Emergency Battery Pack	0-10V 0-10V protocol DALI DALI protocol (TW) DMX DMX protocol (RGBW) CASAMBI Casambi Protocol Wireless Control System



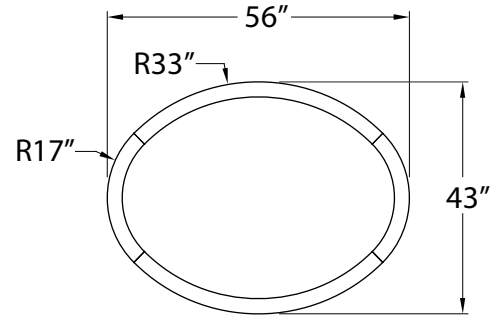
- Notes:**
- All fixtures are factory pre-wired for a single circuit.
 - 90+ CRI standard power supply (driver) is UL recognized, and is available with 0-10V dimming capability as well as 120 thru 277 universal voltage.
 - Tunable White power supply (driver) is UL recognized, and is compatible with DALI control protocols.
 - RGBW power supply (driver) is UL recognized, and is compatible with DMX control protocols.
 - LASSO ELLIPSE SLOT - S3 oval fixture patterns are IP20 rated - for indoor use only.

ELLIPSE SLOT - S3 OVAL PATTERNS

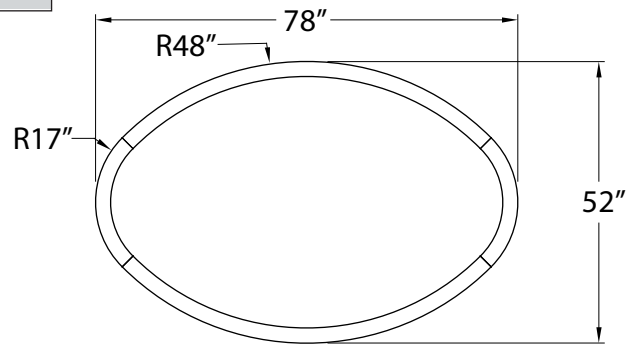
Standard Dimension Options

DATA TABLE

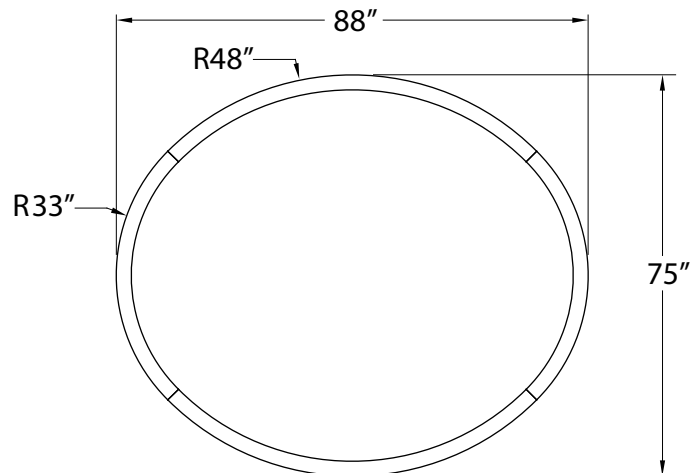
Optic Module LED Engine	Optimized	CRI	90+
		Lumen Maintenance	82,000 Hours
Warranty	10 years		
Dimensions	Profile size: 2.795" W X 3.937" H - Overall Patterns: See dimensions at right.		
Weight	Ellipse 43" X 56" Pattern: 26.01 lbs. / Ellipse 52" X 78" Pattern: 36.4 lbs. / Ellipse 75" X 88" Pattern: 47.8 lbs.		
IP Rating	IP20 (dry indoor application only)		
Compatible ceiling	Suitable for drywall ceilings, metal pan, concrete, timber & T-Bar Grid ceilings		
Mounting	Single drop & Y-Type Cables, Rigid Stem, Surface/Ceiling Mount		



43" X 56" Ellipse



52" X 78" Ellipse

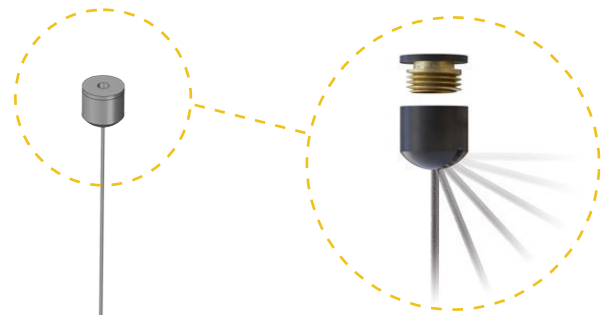


75" X 88" Ellipse

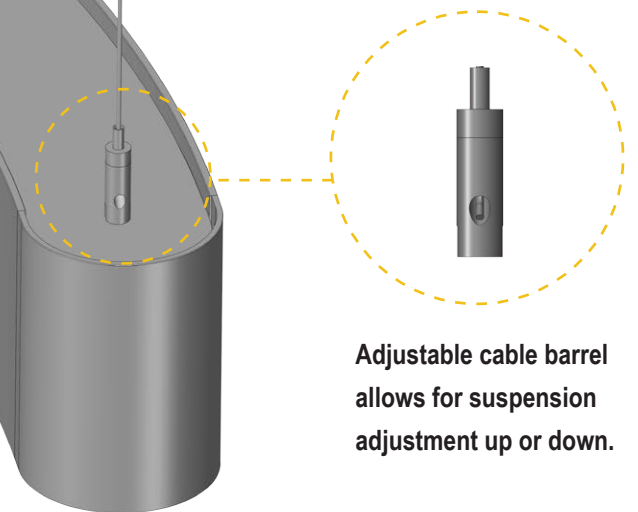
ELLIPSE SLOT - S3 OVAL PATTERNS

Fully Adjustable Cable/Rollerball Suspension

A smart suspension system that can be mounted on any ceiling surface, whether flat or sloped.



Custom rollerball cable barrel allows fixture to hang plumb, even on sloped surfaces.



Adjustable cable barrel allows for suspension adjustment up or down.